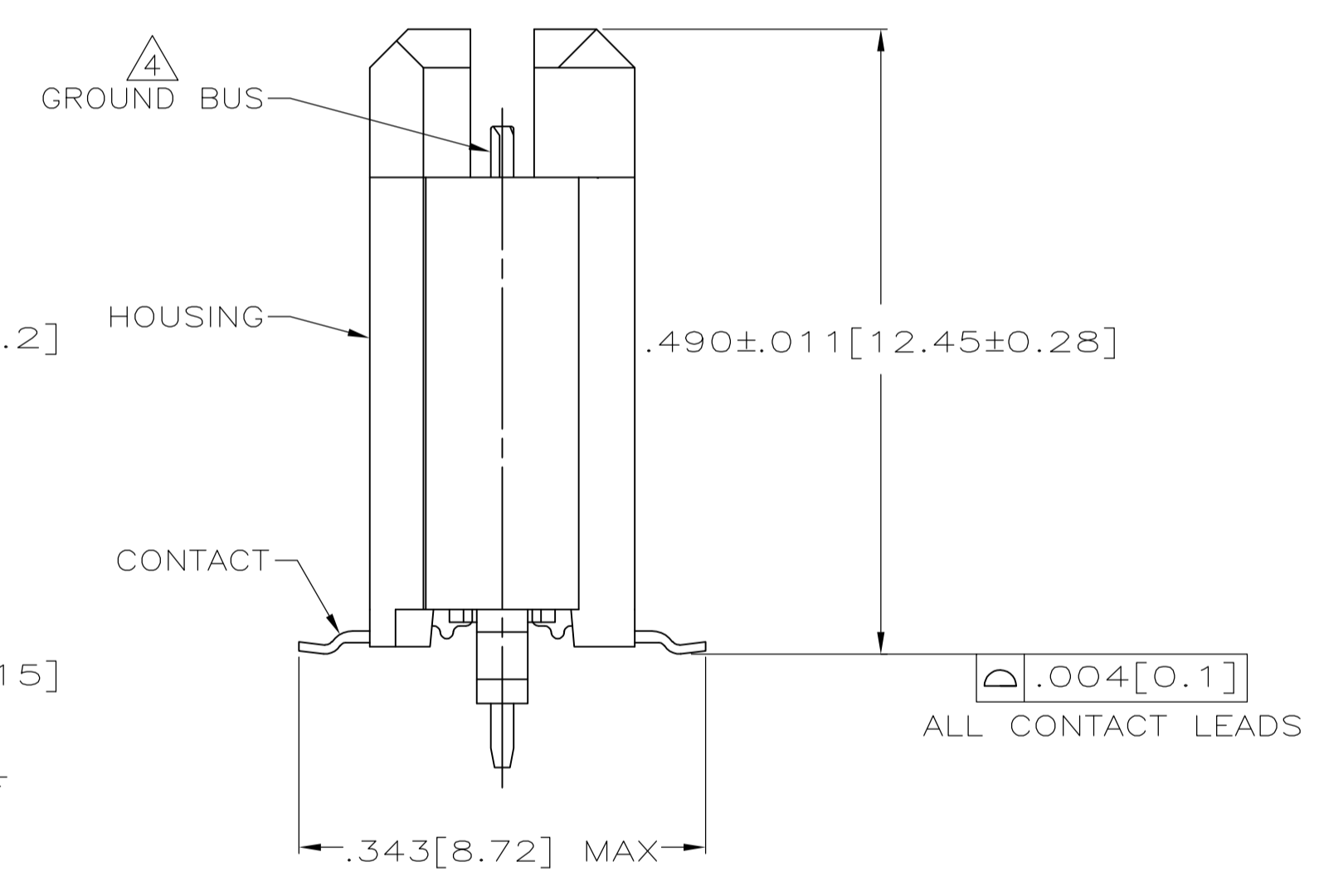
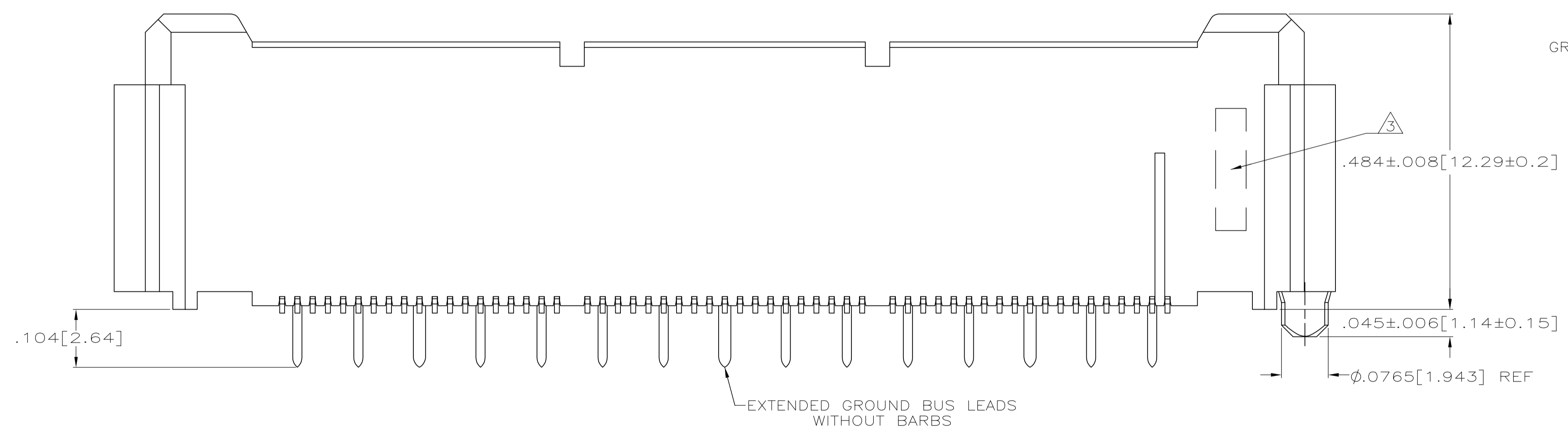


- $\triangle 1$ HOUSING: LIQUID CRYSTAL POLYMER, COLOR BLACK.
CONTACTS: HIGH RELIABILITY COPPER ALLOY.
GROUND BUSES: PHOSPHOR BRONZE ALLOY, UNS C51100.
- $\triangle 2$ CONTACTS & GROUND BUSES: NICKEL UNDERPLATE ALL OVER,
MATING SURFACE PLATED TO MEET LEVEL 2 PERFORMANCE
REQUIREMENTS OF TE PRODUCT SPECIFICATION 108-1422, SOLDER
TAILS PLATED MATTE TIN.
- $\triangle 3$ DATE CODE MARKED IN AREA INDICATED ON SIDE OPPOSITE
POSITION #1.
- $\triangle 4$ ONE GROUND BUS WITH 5 TAILS PER EACH MODULE.
- $\triangle 5$ TOLERANCE NON-ACCUMULATIVE.
- $\triangle 6$ FOR STANDARD APPLICATIONS, ORIENTATION HOLE TO BE
 $\phi .094 \pm .002 [2.39 \pm 0.05]$.
FOR SLIP-FIT APPLICATIONS, ORIENTATION HOLE TO BE
 $\phi .079 \pm .001 [2.00 \pm 0.03]$.
- $\triangle 7$ CONNECTORS PACKAGED ON 13 INCH DIA REELS PER EIA 481.
- $\triangle 8$ NOT RELEASED FOR PRODUCTION.



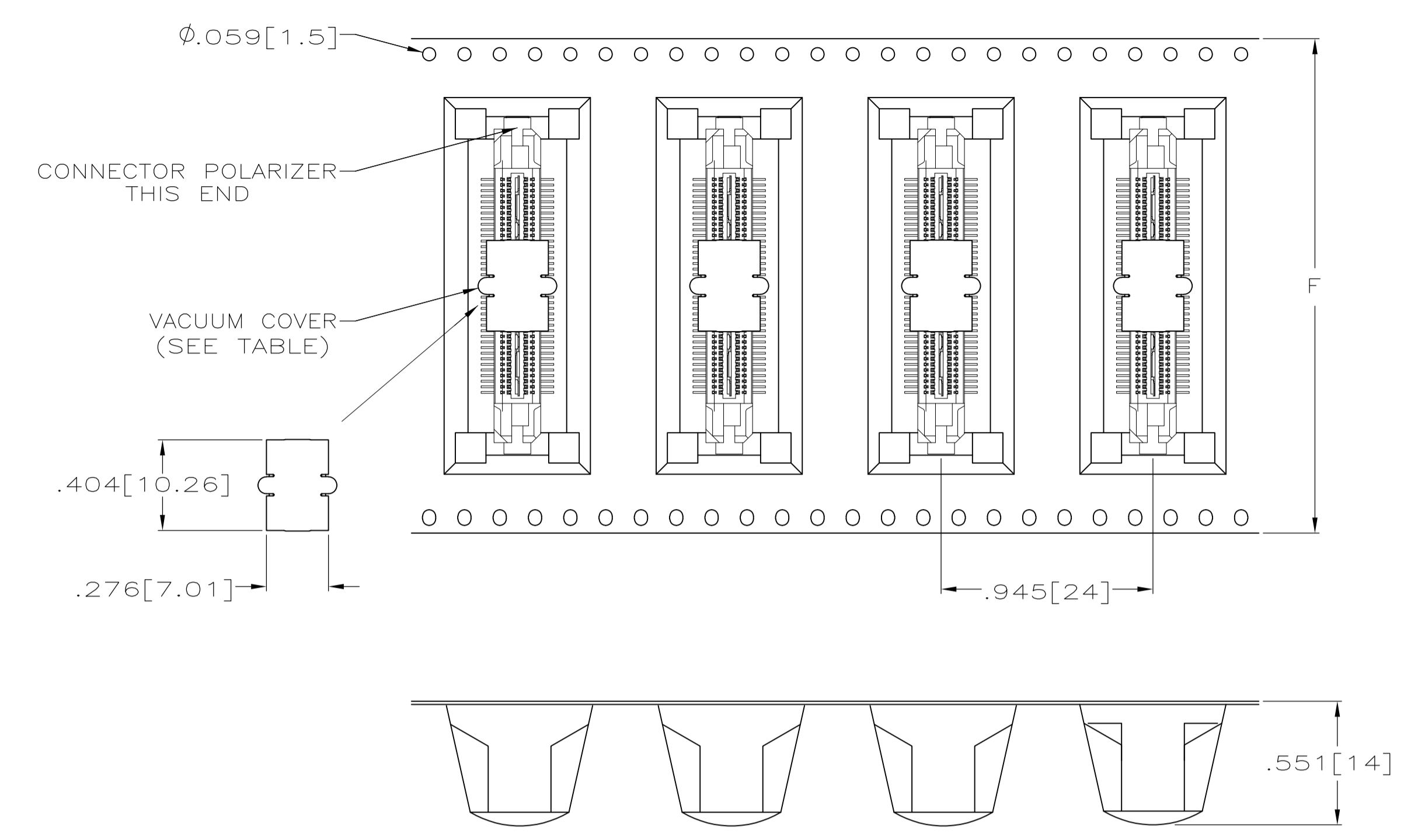
SEE SHEET 2 FOR RECOMMENDED PC BOARD LAYOUT
AND PACKAGING DETAIL

| | | | | | | | | | |
|---------------|-----------------------|-------------|--------------|---|---------------|---------------|---------------|-----------|-------------|
| $\triangle 8$ | NO | 4.724 [120] | 3.000 [76.2] | 6 | 3.450 [87.63] | 3.898 [99.01] | 4.000 [101.6] | 266 | 1-5767127-4 |
| $\triangle 8$ | NO | 4.094 [104] | 2.500 [63.5] | 5 | 2.950 [74.93] | 3.398 [86.31] | 3.500 [88.9] | 228 | 1-5767127-3 |
| | NO | 4.094 [104] | 2.000 [50.8] | 4 | 2.450 [62.23] | 2.898 [73.61] | 3.000 [76.2] | 190 | 1-5767127-2 |
| | NO | 3.465 [88] | 1.500 [38.1] | 3 | 1.950 [49.53] | 2.398 [60.91] | 2.500 [63.5] | 152 | 1-5767127-1 |
| $\triangle 8$ | NO | 2.835 [72] | 1.000 [25.4] | 2 | 1.450 [36.83] | 1.898 [48.21] | 2.000 [50.8] | 114 | 1-5767127-0 |
| $\triangle 8$ | NO | 2.205 [56] | .500 [12.7] | 1 | .950 [24.13] | 1.398 [35.51] | 1.500 [38.1] | 76 | 5767127-9 |
| $\triangle 8$ | NO | 1.732 [44] | .000 [0] | 0 | .450 [11.43] | .898 [22.81] | 1.000 [25.4] | 38 | 5767127-8 |
| $\triangle 8$ | YES | 4.724 [120] | 3.000 [76.2] | 6 | 3.450 [87.63] | 3.898 [99.01] | 4.000 [101.6] | 266 | 5767127-7 |
| $\triangle 8$ | YES | 4.094 [104] | 2.500 [63.5] | 5 | 2.950 [74.93] | 3.398 [86.31] | 3.500 [88.9] | 228 | 5767127-6 |
| $\triangle 8$ | YES | 4.094 [104] | 2.000 [50.8] | 4 | 2.450 [62.23] | 2.898 [73.61] | 3.000 [76.2] | 190 | 5767127-5 |
| | YES | 3.465 [88] | 1.500 [38.1] | 3 | 1.950 [49.53] | 2.398 [60.91] | 2.500 [63.5] | 152 | 5767127-4 |
| $\triangle 8$ | YES | 2.835 [72] | 1.000 [25.4] | 2 | 1.450 [36.83] | 1.898 [48.21] | 2.000 [50.8] | 114 | 5767127-3 |
| $\triangle 8$ | YES | 2.205 [56] | .500 [12.7] | 1 | .950 [24.13] | 1.398 [35.51] | 1.500 [38.1] | 76 | 5767127-2 |
| $\triangle 8$ | YES | 1.732 [44] | .000 [0] | 0 | .450 [11.43] | .898 [22.81] | 1.000 [25.4] | 38 | 5767127-1 |
| | VACUUM COVER INCLUDED | F | E | D | C | B | A | NO OF POS | PART NUMBER |

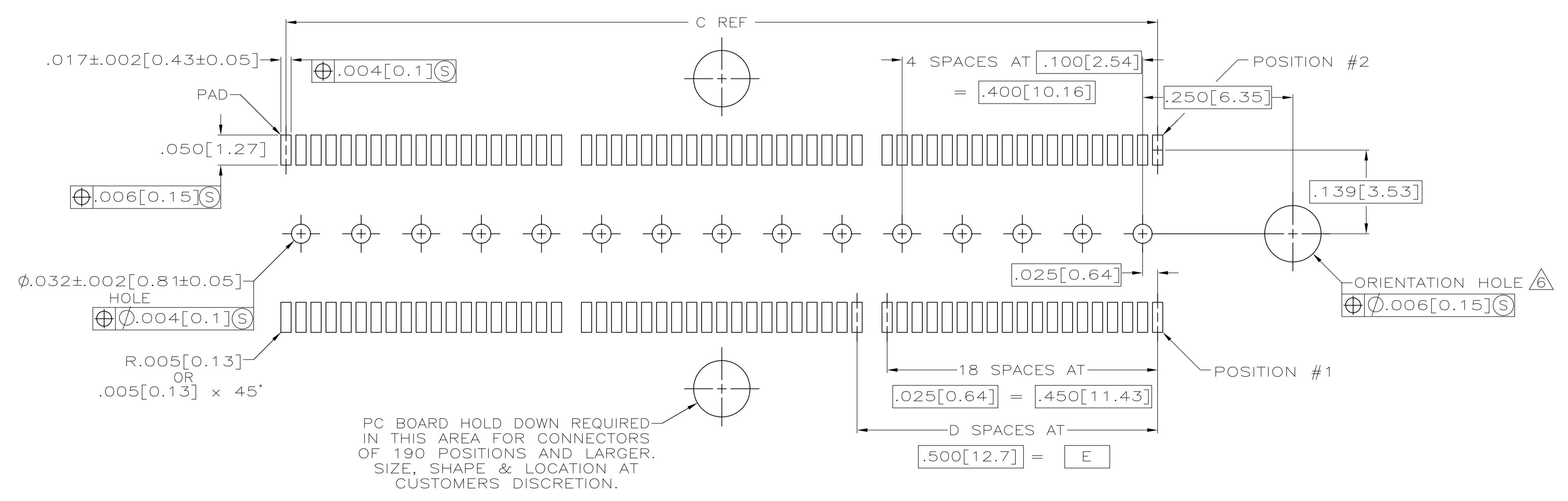
THIS DRAWING IS A CONTROLLED DOCUMENT.

| | | | | |
|--------------------|--|--------------------------|-------------------------|--|
| DIMENSIONS: INCHES | TOLERANCES UNLESS OTHERWISE SPECIFIED: | DIN G. ATTADIA 27 OCT 04 | APVD D. DIXON 27 OCT 04 | NAME: Tyco Electronics Corporation Harrisburg, Pa 17105-3608 |
| 0 PLC ± - | 1 PLC ± - | 2 PLC ± - | 3 PLC ± .005(0.13) | 4 PLC ± - |
| ANGLES ± - | FINISH | SIZE: 114-11004 | WEIGHT: - | RESTRICTED TO: - |
| MATERIAL | | CUSTOMER DRAWING | | SCALE: 1:1 SHEET 1 OF 2 REV A |

Tyco Electronics Corporation
 Harrisburg, Pa 17105-3608
 NAME: Tyco Electronics Corporation
 PRODUCT SPEC: 108-1422
 APPLICATION SPEC: 114-11004
 PART NUMBER: 5767127
 SCALE: 1:1 SHEET 1 OF 2 REV A



PACKAGING DETAIL Δ
 SCALE 2:1
 DIMENSIONS ARE FOR REFERENCE



RECOMMENDED PC BOARD LAYOUT
 (VIEWED FROM CONNECTOR SIDE)

| | | | | |
|--|--|--|-----------|---|
| THIS DRAWING IS A CONTROLLED DOCUMENT. | | DN G. ATTADIA | 28 OCT 04 | Tyco Electronics Corporation Harrisburg, Pa 17105-3608 |
| | | CHK D. DIXON | 28 OCT 04 | |
| DIMENSIONS: | | TOLERANCES UNLESS OTHERWISE SPECIFIED: | | NAME PLUG ASSEMBLY, .495 [12.57] VERTICAL, .025 [0.64] CL, GULL WING LEADS, POCKET TAPE PACKAGED, MICTOR |
| INCHES | | 0. PLC ± - 1. PLC ± - 2. PLC ± - 3. PLC ± .005 (0.13) 4. PLC ± - ANGLES ± - | | |
| MATERIAL | | FINISH | | SIZE A1 |
| | | WEIGHT - | | CASE CODE 00779 |
| | | CUSTOMER DRAWING | | DRAWING NO. 5767127 |
| | | SCALE 1:1 | | RESTRICTED TO - |
| | | SHEET 2 OF 2 | | REV A |